



VT Mount



VT Mount

Type VT™ has been designed so that upon installation the rubber section is subjected to shear loads, thus providing high deflection even at low loads.

Two different parts are available. The VT-upper provides for protection against tension preventing the isolated unit from falling down if overloading occurs.

VT-lower is designed to accept horizontal compression loads and allow shear deflection vertically.

Novibra® type VT™ protects wall-mounted instrument cabinets from vibrations and shocks generated by nearby engines, workshop machinery, etc. It is also suitable to isolate light wall-mounted machines, fans, refrigerating units, etc.

About Trelleborg Industrial AVS

Over 100 years of experience as Metalastik and Novibra, today Trelleborg Industrial AVS make improvements people can physically feel. From smoother travel to quieter, more efficient machines, we make life feel better. With quality, testing and compliance built in, we're in it for the long haul, ensuring your solution still works, over an extended and often arduous life-cycle.

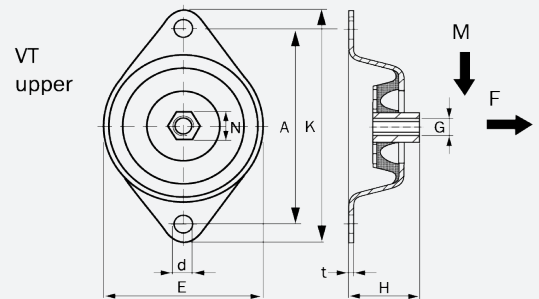
With three state-of-the-art manufacturing plants across the globe, our experience in rubber to metal bonding enhances several industries, including off-highway vehicles, rail and mass transit, marine and energy and general industry.

We offer an end-to-end service, to take you from concept through design, manufacturing and testing to delivery. This reduces the complexity of supply, helping you cut costs, mitigate risk and receive on time, on budget delivery.

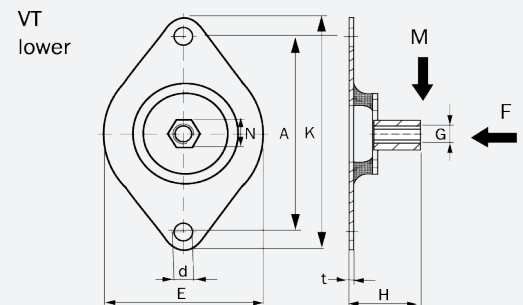
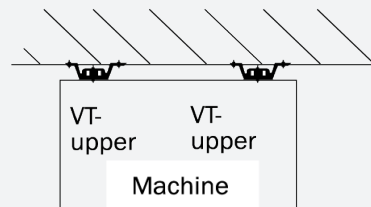
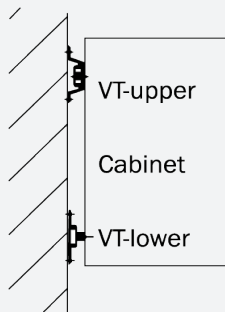
Trelleborg IAVS is part of Trelleborg Group, which employs 15,000 people in over 40 countries. Whatever your challenge, whatever your role and wherever you are, we are nearby to offer expert knowledge and quality solutions.

VT Mount

Technical Drawing



Mounting instructions



Product Data

TYPE	PART NO.		PART NO.	DIMENSIONS IN MM								M-MAX KG		F-MAX (KG)		WEIGHT (KG)
	40° IRH	60° IRH		E	K	A	H	d	N	t	G	40° IRH	60° IRH	40° IRH	60° IRH	
VT UPPER	10-01369	10-01370	75	75	114	96.2	33	9	15	1.5	M8	14	25	30	70	0.149
VT LOWER	10-01373	10-00015	75	75	114	96	33	9	15	1.5	M8	14	25	30	70	0.104



WWW.TRELLEBORG.COM/ANTI-VIBRATION-SOLUTIONS

For further information visit our website or e-mail industrialavs@trelleborg.com

The content in this datasheet was correct at the time of printing, but is subject to change without notice.