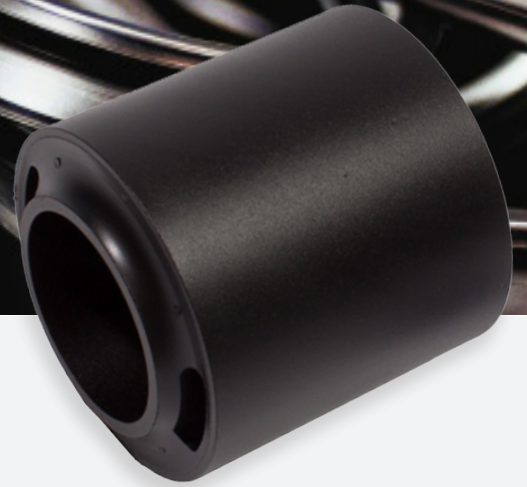




UD Bushes



UD Bushes

The Metalastik type UD consists of two concentric sleeves with rubber securely bonded between them. Designed to accommodate torsional movements, axial and radial loads. The rubber is pre-stressed to give maximum dynamic strength and durability.

The bonded rubber takes up full movement. Therefore, lubrication or other bearing maintenance is not required. The bush has excellent sound and vibration isolation characteristics, enabling structures fitted with the sleeves to be silent and vibration free.

For vehicle suspension, pivot arms and all types of mechanical linkage, this mount permits oscillating movement through the deflection of rubber in shear. Suitable to replace roller bearings where small motions are required (up to 20 degrees). Reduces shock loads and noise transmission in structures.

Applications:

- Vehicle suspension arms
- Vibratory feeders
- Conveyer tracks
- Mechanical linkages
- Pivot bearings

About Trelleborg Industrial AVS

Over 100 years of experience as Metalastik and Novibra, today Trelleborg Industrial AVS make improvements people can physically feel. From smoother travel to quieter, more efficient machines, we make life feel better. With quality, testing and compliance built in, we're in it for the long haul, ensuring your solution still works, over an extended and often arduous life-cycle.

With three state-of-the-art manufacturing plants across the globe, our experience in rubber to metal bonding enhances several industries, including off-highway vehicles, rail and mass transit, marine and energy and general industry.

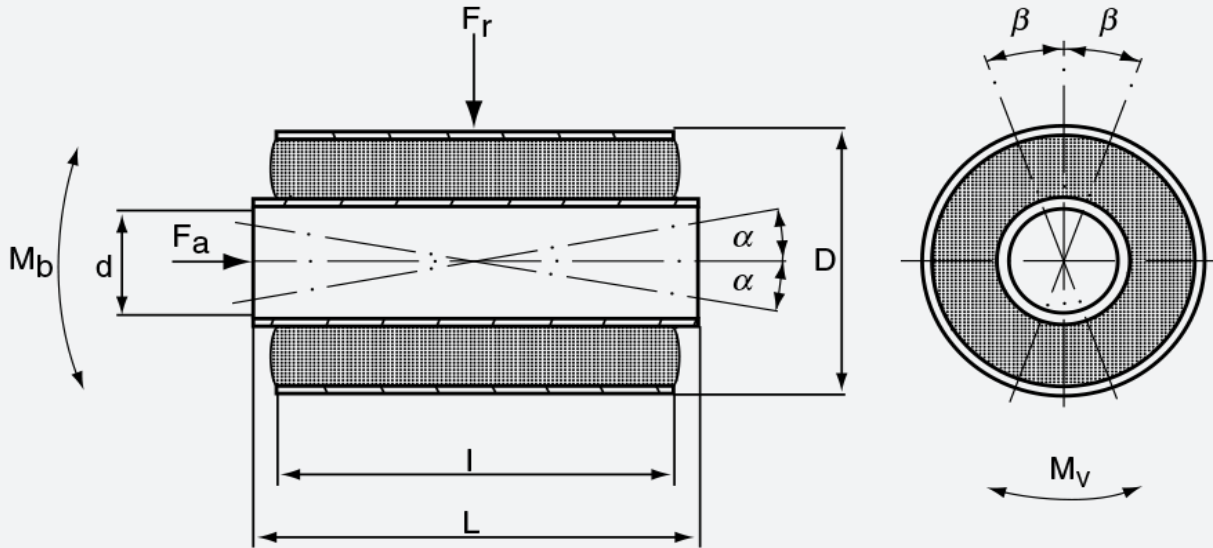
We offer an end-to-end service, to take you from concept through design, manufacturing and testing to delivery. This reduces the complexity of supply, helping you cut costs, mitigate risk and receive on time, on budget delivery.

Trelleborg IAVS is part of Trelleborg Group, which employs 15,000 people in over 40 countries. Whatever your challenge, whatever your role and wherever you are, we are nearby to offer expert knowledge and quality solutions.



UD Bush

Technical Drawing



Product Data

DRAWING No.	PART No.	TYPE	DIMENSIONS (mm)				TORSION		AXIAL		RADIAL		WEIGHT (kg)
			d	D	l	L	STIFFNESS (N/mm)	MAX LOAD (N)	STIFFNESS (N/mm)	MAX DELF. (mm)	STIFFNESS (Nm/deg)	$\pm\beta$ (degrees)	
13-1232	20-01612	60 IRH	8	20	15	17	2000	700	205	1.3	0.17	13	0.02
13-1230	10-00249	55 IRH	10	24	15	18	1360	500	170	1.7	0.24	13	0.02
13-1782	10-00277	60 IRH	12.7	38.2	25.4	31.8	788	1100	163	3.3	0.52	22	0.08
13-1657	10-00271	60 IRH	12.7	38.2	44.5	50.8	2100	2200	300	3.3	0.73	22	0.14
13-1004	10-00235	60 IRH	15.9	47.7	44.5	50.8	1981	2500	304	4.2	1.3	20	0.2
13-1698	10-00276	60 IRH	35	71.2	41.1	45	3800	4500	347	5.1	6.9	14	0.39
13-0785	10-00215	60 IRH	14.3	30.2	44.5	50.8	11000	6000	695	1.9	1.5	13	0.11
13-0797	10-00217	60 IRH	15.9	33.4	60.3	65	18800	9500	960	2.1	2.4	13	0.16



WWW.TRELLEBORG.COM/ANTI-VIBRATION-SOLUTIONS

For further information visit our website or e-mail industrialavs@trelleborg.com

The content in this datasheet was correct at the time of printing, but is subject to change without notice.