



SE Mount



SE Mount

The SE™ mounting consists of an annular rubber section, securely bonded to a single steel support plate. A clearance hole is provided which can either be left plain or tapped to suit the application.

As the rubber element is in direct contact with the supporting surface, friction is normally sufficient to prevent the suspended equipment from “walking”.

Type SE™ is suitable for the isolation of high frequency disturbances and provides reduction of structure-borne noise.

Specific applications are:

- Office equipment
- Textile machinery
- Domestic appliances
- Electric motors
- Weighing equipment

About Trelleborg Industrial AVS

Over 100 years of experience as Metalastik and Novibra, today Trelleborg Industrial AVS make improvements people can physically feel. From smoother travel to quieter, more efficient machines, we make life feel better. With quality, testing and compliance built in, we're in it for the long haul, ensuring your solution still works, over an extended and often arduous life-cycle.

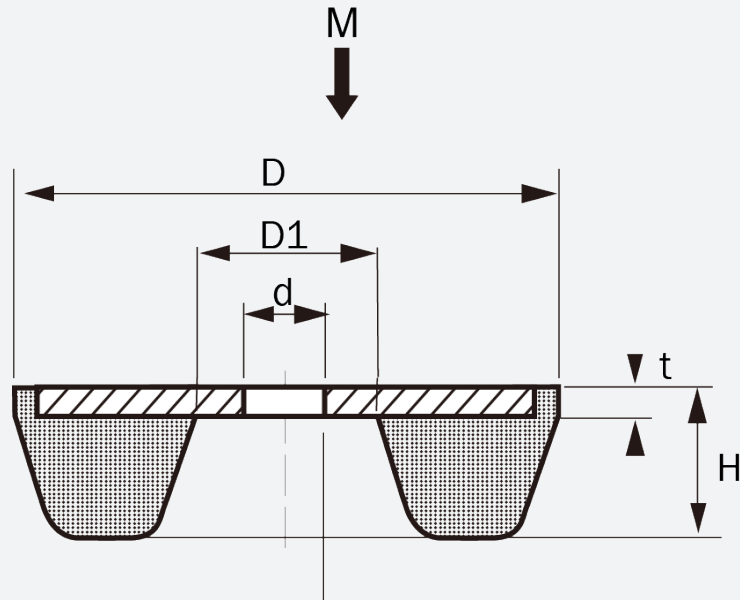
With three state-of-the-art manufacturing plants across the globe, our experience in rubber to metal bonding enhances several industries, including off-highway vehicles, rail and mass transit, marine and energy and general industry.

We offer an end-to-end service, to take you from concept through design, manufacturing and testing to delivery. This reduces the complexity of supply, helping you cut costs, mitigate risk and receive on time, on budget delivery.

Trelleborg IAVS is part of Trelleborg Group, which employs 15,000 people in over 40 countries. Whatever your challenge, whatever your role and wherever you are, we are nearby to offer expert knowledge and quality solutions.

SE Mount

Technical Drawing



Product Data

TYPE	DRAWING NO.	PART NO. 50° IRH	DIMENSIONS (MM)					M-MAX (KG) 50° IRH	WEIGHT (kg)
			D	D1	d	H	t		
SE 75	19-0563	20-00612	55	18	8	15	3	150	0.069
SE 250	19-0728	20-00631	75	25	10	17	4	400	0.172
SE 750	19-0729	20-00632	115	40	14	24	4	1100	0.456



WWW.TRELLEBORG.COM/ANTI-VIBRATION-SOLUTIONS

For further information visit our website or e-mail industrialavs@trelleborg.com

The content in this datasheet was correct at the time of printing, but is subject to change without notice.

