



# ANB Mount



## ANB mount

Buffer type ANB consists of a cylindrical rubber body bonded to a square baseplate of steel. Each corner of the baseplate has a fixing hole.

Special high-hysteresis rubber compound is used to ensure as much energy absorption as possible. The volume of the rubber is used at optimum efficiency.

For new machine developments simpler designs and lighter calculated forces can be considered enabling a lower cost.

The shock buffer type ANB is used to effectively limit movement of equipment or machine components.

### Typical applications include:

- Lifting cranes
- Forestry vehicles
- Material handling equipment

## About Trelleborg Industrial AVS

Over 100 years of experience as Metalastik and Novibra, today Trelleborg Industrial AVS make improvements people can physically feel. From smoother travel to quieter, more efficient machines, we make life feel better. With quality, testing and compliance built in, we're in it for the long haul, ensuring your solution still works, over an extended and often arduous life-cycle.

With three state-of-the-art manufacturing plants across the globe, our experience in rubber to metal bonding enhances several industries, including off-highway vehicles, rail and mass transit, marine and energy and general industry.

We offer an end-to-end service, to take you from concept through design, manufacturing and testing to delivery. This reduces the complexity of supply, helping you cut costs, mitigate risk and receive on time, on budget delivery.

Trelleborg IAVS is part of Trelleborg Group, which employs 15,000 people in over 40 countries. Whatever your challenge, whatever your role and wherever you are, we are nearby to offer expert knowledge and quality solutions.

# ANB Mount

## Technical Drawing

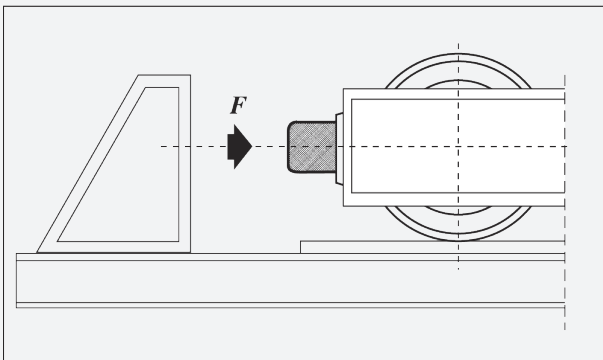
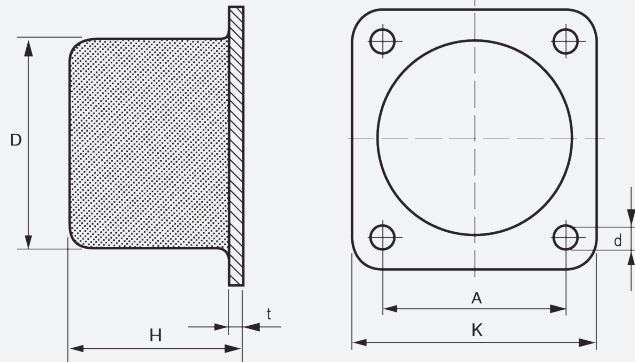


Fig. 1. Traverse crane with shock buffer ANB.

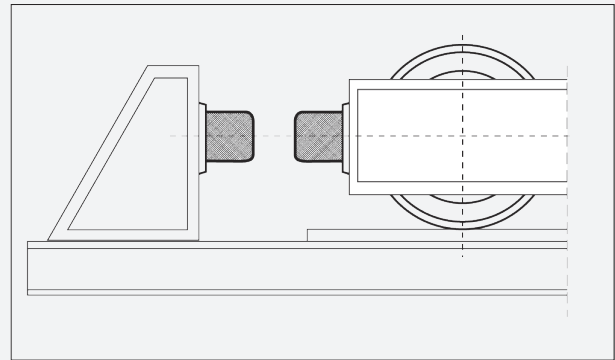


Fig. 2. Traverse crane with 2 ANB buffers connected in series..

## Product Data

TYPE	DRAWING NO.	PART NO.	DIMENSIONS IN MM						F-MAX (N)	WEIGHT (KG)
			K	A	D	d	H	t		
ANB50	15-4034	10-00151	70	50	50	7	43	3	0.2	8000
ANB75	15-4035	10-00152	100	75	75	9	63	3	0.5	20000
ANB100	15-4037	10-00153	130	100	100	11	84	4	1.2	41000
ANB150	15-4032	10-00010	185	150	150	13.5	126	6	3.9	9000
ANB200	15-4033	10-00011	240	200	200	13.5	168	8	9.1	180000



[WWW.TRELLEBORG.COM/ANTI-VIBRATION-SOLUTIONS](http://WWW.TRELLEBORG.COM/ANTI-VIBRATION-SOLUTIONS)

For further information visit our website or e-mail [industrialavs@trelleborg.com](mailto:industrialavs@trelleborg.com)

The content in this datasheet was correct at the time of printing, but is subject to change without notice.