



EH Mounting

EH Mounting

Type EH is designed primarily for mobile applications where high dynamic and shock forces are encountered. Dynamic vertical movements in both the directions are restricted and excellent horizontal stability is provided.

The function of EH includes features as:

- Dynamic efficiency in all directions
- Attenuation of structure-borne noise
- Accommodation of misalignment and distortion
- Simple design-easy to install
- Fail-safe installation
- Wide load range, 40 to 1200 kg

Type EH mountings are designed to achieve effective vibration isolation on engines, operator cabins and other ancillary units.

Typical applications include:

- Off-highway vehicles
- Military vehicles
- Construction equipment
- Material handling vehicles
- Agriculture vehicle

About Trelleborg Industrial AVS

Over 100 years of experience as Metalastik and Novibra, today Trelleborg Industrial AVS make improvements people can physically feel. From smoother travel to quieter, more efficient machines, we make life feel better. With quality, testing and compliance built in, we're in it for the long haul, ensuring your solution still works, over an extended and often arduous life-cycle.

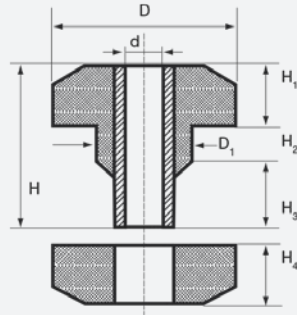
With three state-of-the-art manufacturing plants across the globe, our experience in rubber to metal bonding enhances several industries, including off-highway vehicles, rail and mass transit, marine and energy and general industry.

We offer an end-to-end service, to take you from concept through design, manufacturing and testing to delivery. This reduces the complexity of supply, helping you cut costs, mitigate risk and receive on time, on budget delivery.

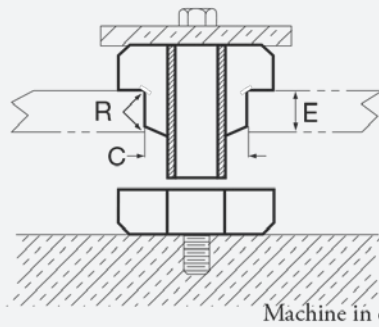
Trelleborg IAVS is part of Trelleborg Group, which employs 15,000 people in over 40 countries. Whatever your challenge, whatever your role and wherever you are, we are nearby to offer expert knowledge and quality solutions.

EH Mounting

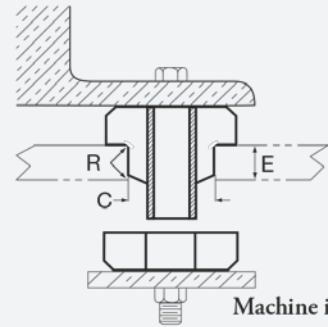
Technical Drawing



Example of installation



Example of installation



Product Data

DRAWING No.	PART No.	TYPE	DIMENSIONS (mm)											MAX LOAD (kg)	BOLT SIZE	MAX BOLT TORQUE (Nm)	WASHER PART No.	WEIGHT (kg)
			d	D	D	H	H1	H2	H3	H4	C	E	R					
55-1070-1	20-02900	EH 40	10	33	20	32	12	6.5	13	12	19	10	1	40	M10	25	20-02816	0.033
55-1070-1	20-02901	EH 60	10	33	20	32	12	6.5	13	12	19	10	1	90	M10	25		0.033
19-0213-1	20-00621	EH 4850-40	13	50	32	50	20	10	20	20	31	15	1.5	60	M12	40	20-00416	0.12
19-0213-1	20-00620	EH 4850-60	13	50	32	50	20	10	20	20	31	15	1.5	100	M12	40		0.12
19-0214-1	20-00619	EH 6463-40	17	64	40	62	23	14	25	23	39	22	2.3	90	M16	80	20-01495	0.23
19-0214-1	20-00618	EH 6463-60	17	64	40	62	23	14	25	23	39	22	2.3	200	M16	80		0.23
19-0727-1	20-00617	EH 9075-40	23	89	58	73	25	19	29	25	56.5	28	3	200	M22	200	20-00533	0.53
19-0727-1	20-00616	EH 9075-60	23	89	58	73	25	19	29	25	56.5	28	3	350	M22	200		0.53
13-4109-1	20-02558	EH 1127-40	37.8	124	64.8	85.9	31.8	22.3	31.8	31.8	63	32	4	550	M24	300	CONTACT FOR DETAILS	1.11
13-4109-1	20-02899	EH 1127-60	37.8	124	64.8	85.9	31.8	22.3	31.8	31.8	63	32	4	1200	M24	300		1.11

(*) Max. loads have been calculated for extreme off-highway use, these are lower values than shown in the industrial catalogue.

WWW.TRELLEBORG.COM/ANTI-VIBRATION-SOLUTIONS

For further information visit our website or e-mail industrialavs@trelleborg.com

The content in this datasheet was correct at the time of printing, but is subject to change without notice.