



RAB Mount



10/00178 | 10/00179 | 10/00180

RAB Mount

Similar in design to the RA and RAEM range, the RAB uses rubber in shear and compression for optimum stiffness characteristics and horizontal stability. Especially effective on small 1, 2 and 3 cylinder diesel engines where the special compound employed provides effective isolation of vibration while eliminating much of the excessive movement normally associated with 1-3 cylinder engines.

Its unique construction and the latest production methods make Novibra type RAM a high performance mounting having a number of advantages:

- Rubber features are utilized effectively combining compression and shear
- Tight tolerances on dynamic stiffness rate for accurate vibration calculations
- Loading rating options, 10-130 kg
- Corrosion protected to cope with arduous environments on land or marine applications (SO 2081)
- Fitted as standard with a shock proof device with resilient stop, ideal for mobile marine use. The RAB mounts can accommodate occasional shock loads up to 5 g reference to the weight. The mount will withstand shock loads up to 2 g without plastic deformation
- Clear and durable product markings so the mount can be identified even after several years in operation
- Domed shape cover to protect against oil contamination

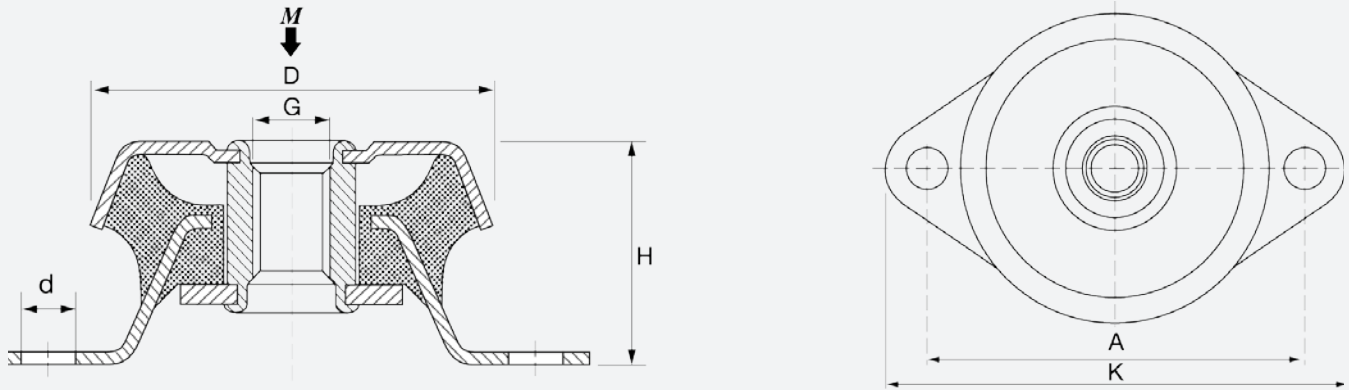
About Trelleborg Industrial AVS

Over 100 years of experience as Metalastik and Novibra, today Trelleborg Industrial AVS make improvements people can physically feel. From smoother travel to quieter, more efficient machines, we make life feel better. With quality, testing and compliance built in, we're in it for the long haul, ensuring your solution still works, over an extended and often arduous life-cycle.

With three state-of-the-art manufacturing plants across the globe, our experience in rubber to metal bonding enhances several industries, including off-highway vehicles, rail and mass transit, marine and energy and general industry.

We offer an end-to-end service, to take you from concept through design, manufacturing and testing to delivery. This reduces the complexity of supply, helping you cut costs, mitigate risk and receive on time, on budget delivery.

Trelleborg IAVS is part of Trelleborg Group, which employs 15,000 people in over 40 countries. Whatever your challenge, whatever your role and wherever you are, we are nearby to offer expert knowledge and quality solutions.

RAB 10/00178 | 10/00179 | 10/00180
Technical Drawing

Product Data

DRAWING No.	PART No.	TYPE	DIMENSIONS (mm)						MAX LOAD (kg)	WEIGHT (kg)
			D	A	H	K	d	G		
17-4004-1	10-00180	RAB 3	63	76	35	93.5	8.5	M12	70	0.22
17-4141-1	10-00179	RAB 2	63	76	35	93.5	8.5	M12	105	0.22
17-4092-1	10-00178	RAB 0	63	76	35	93.5	8.5	M12	130	0.22



WWW.TRELLEBORG.COM/ANTI-VIBRATION-SOLUTIONS

For further information visit our website or e-mail industrialavs@trelleborg.com

The content in this datasheet was correct at the time of printing, but is subject to change without notice.