



Mini HD Cushyfloat



17/4944

Mini HD Cushyfloat

Trelleborg Mini HD Cushyfloat™ Mounts combine 3 way control of suspended equipment with large static deflections where the rubber is loaded in shear and compression. The design incorporates bump and rebound control features which limit excessive movement under shock loading.

The easy to install mounting features a prominent use of lightweight engineered plastics, which offer greater environmental protection with no compromise in product performance.

The achievable benefits of the Mini HD Cushyfloat™ have been identified as:

- Large linear vertical deflection.
- Similar stiffness ratios to same footprint part (17/1609).
- Corrosion resistant materials.
- Lightweight part (0.45kg).
- Modular and failsafe design.
- Wide loading capability

Applications include :

- Marine, industrial and vehicle engines
- Generator sets
- Pumps
- Compressors
- Refrigeration systems

About Trelleborg Industrial AVS

Over 100 years of experience as Metalastik and Novibra, today Trelleborg Industrial AVS make improvements people can physically feel. From smoother travel to quieter, more efficient machines, we make life feel better. With quality, testing and compliance built in, we're in it for the long haul, ensuring your solution still works, over an extended and often arduous life-cycle.

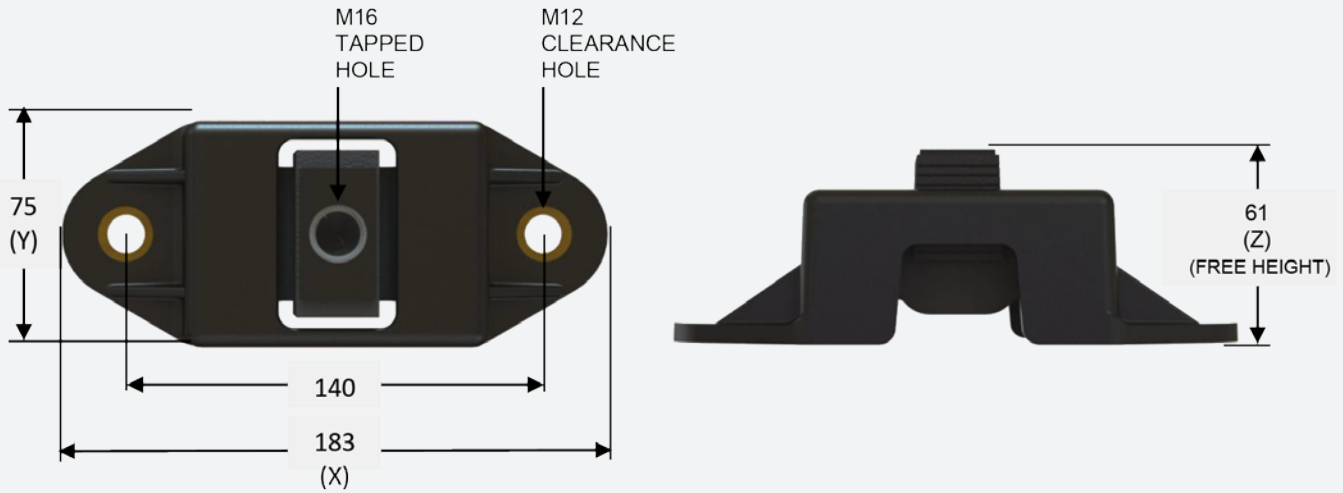
With three state-of-the-art manufacturing plants across the globe, our experience in rubber to metal bonding enhances several industries, including off-highway vehicles, rail and mass transit, marine and energy and general industry.

We offer an end-to-end service, to take you from concept through design, manufacturing and testing to delivery. This reduces the complexity of supply, helping you cut costs, mitigate risk and receive on time, on budget delivery.

Trelleborg IAVS is part of Trelleborg Group, which employs 15,000 people in over 40 countries. Whatever your challenge, whatever your role and wherever you are, we are nearby to offer expert knowledge and quality solutions.

Mini HD Cushyfloat 17/4944

Technical Drawing



Product Data

DRAWING No.	PART No.	TYPE	MAX LOAD (kg)	MAX LOAD WITH THRUST (kg)	STATIC STIFFNESS (kN)	AXIS STIFFNESS RATIO			MAX THRUST (N)		MOX BOLT TORQUE (Nm)	WEIGHT (kg)
						Z	Y	X	CONTINUOUS	INTERMITTENT		
10-02322	50 IRH	100	91	130	1	0.3	2.5	1100	1650	60	0.45	0.45
10-02036	60 IRH	160	112	210	1	0.3	2.5	1650	2450	60	0.45	0.45
10-02037	70 IRH	220	154	280	1	0.3	2.5	2450	3675	60	0.45	0.45



WWW.TRELLEBORG.COM/ANTI-VIBRATION-SOLUTIONS

For further information visit our website or e-mail industrialavs@trelleborg.com

The content in this datasheet was correct at the time of printing, but is subject to change without notice.

