



M Mounting



M-Mounting

Novibra type M is specifically designed to give large deflection at low loads. Although the mount design allows high deflection, the mountings are compact in weight and easy to install.

It's unique construction and the latest production methods make Novibra type M a high performance anti-vibration mounting with a number of advantages:

- Tight tolerance on dynamic stiffness rates for accurate vibration calculations.
- Wide load rating options, 3.5-2500 kg
- Corrosion protected to cope with arduous environments on land or marine applications (ISO 2081).
- Clear and durable product markings so that the mountings can be identified even after several years in operation.

When using M mount together with the height adjuster HA, it is necessary to use a washer. The diameter of the washer must be 20% larger than the diameter of the upper plate (D).

The M-Mounting is ideal for applications involving isolation of low frequency vibration on all planes. Also suitable for shock attenuation due to the designed ability to offer large deflections. Provides passive vibration isolation on electronic instruments, measuring equipment and test cells.

About Trelleborg Industrial AVS

Over 100 years of experience as Metalastik and Novibra, today Trelleborg Industrial AVS make improvements people can physically feel. From smoother travel to quieter, more efficient machines, we make life feel better. With quality, testing and compliance built in, we're in it for the long haul, ensuring your solution still works, over an extended and often arduous life-cycle.

With three state-of-the-art manufacturing plants across the globe, our experience in rubber to metal bonding enhances several industries, including off-highway vehicles, rail and mass transit, marine and energy and general industry.

We offer an end-to-end service, to take you from concept through design, manufacturing and testing to delivery. This reduces the complexity of supply, helping you cut costs, mitigate risk and receive on time, on budget delivery.

Trelleborg IAVS is part of Trelleborg Group, which employs 15,000 people in over 40 countries. Whatever your challenge, whatever your role and wherever you are, we are nearby to offer expert knowledge and quality solutions.



M mounting

Load per mounting (kg)
M25 - M1500

Diagram 1

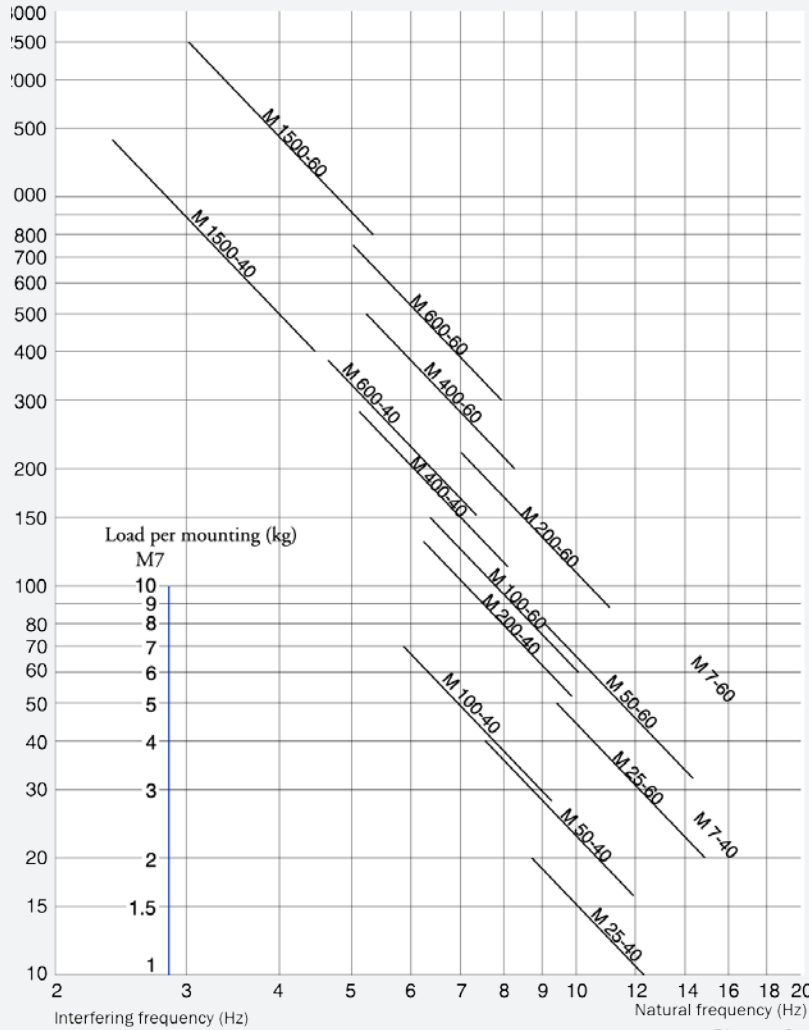


Diagram 2

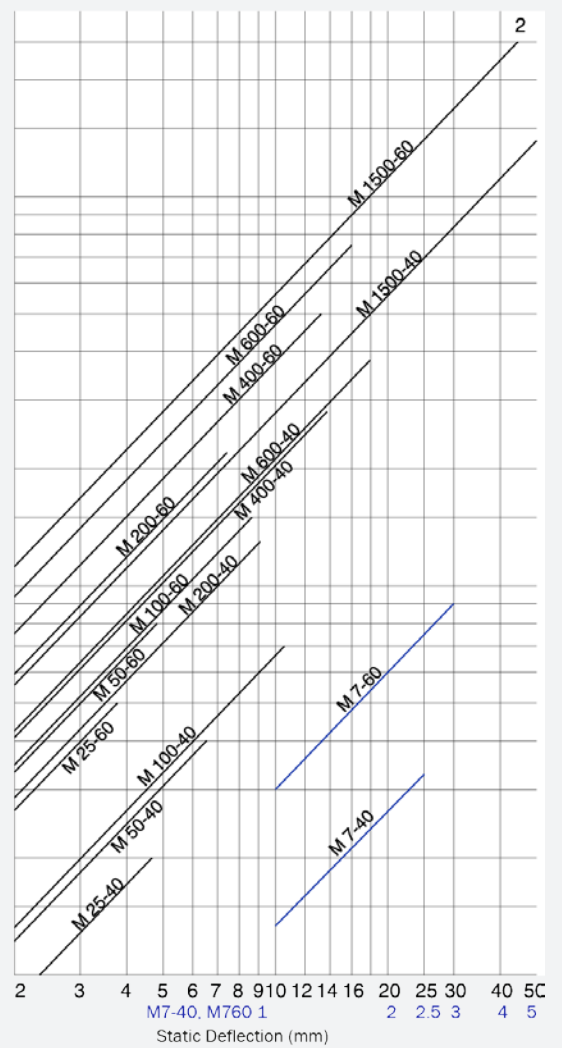
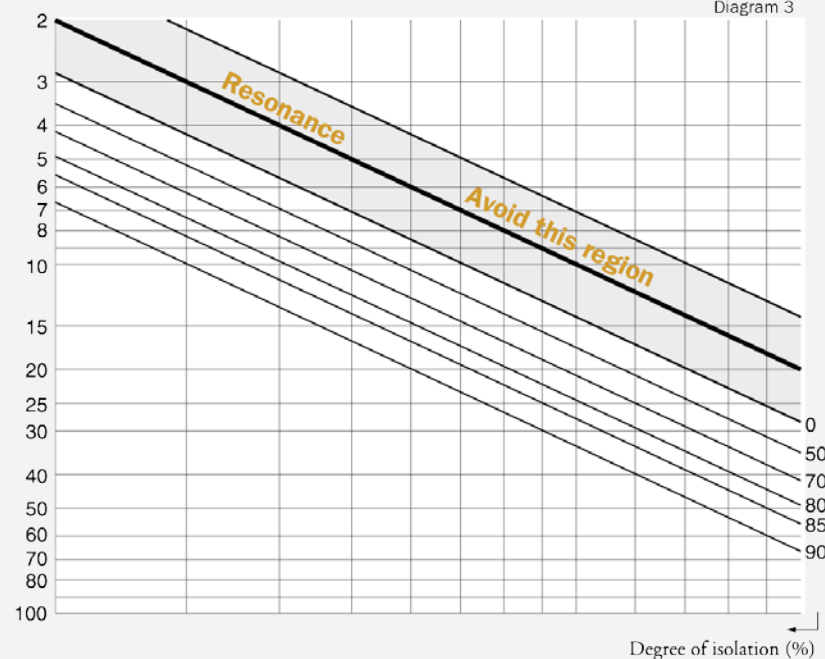


Diagram 3



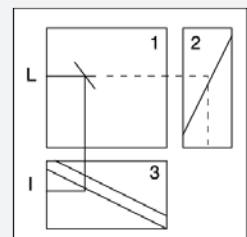
To select the correct mounting, the following data is needed:

1. Load per mounting (kg)
2. Interfering frequency (Hz) (Hz = rpm/60)

Select correct load line in diagram 1 and correct interface line in diagram 3. The load line intersects with required type of mounting.

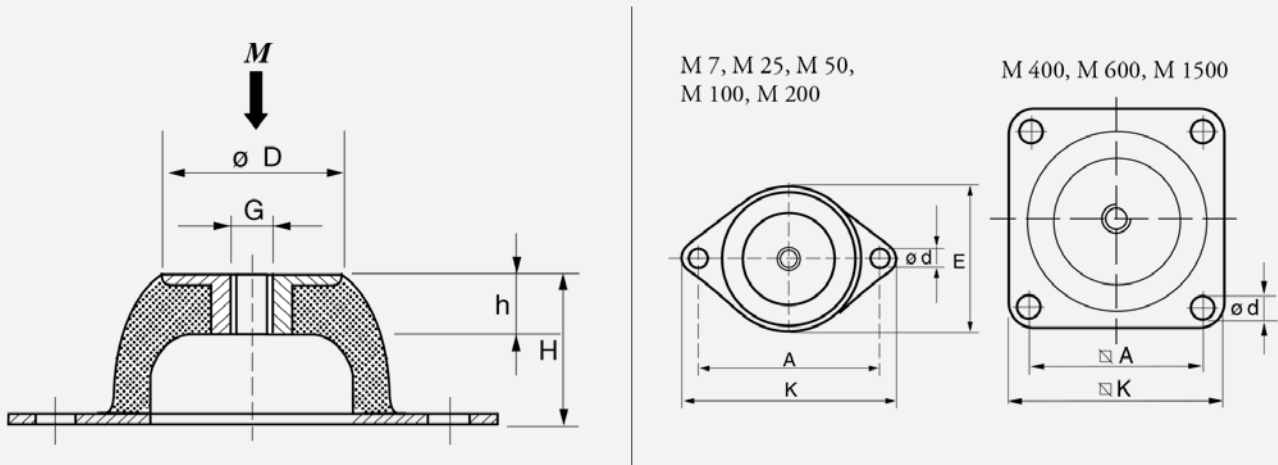
Connect this intersection point vertically down to the interference line on diagram 3. Here, on the sloping curve, the isolation degree is indicated.

For static deflection see diagram 2.



M-Mounting

Technical Drawing



Product Data

DRAWING No.	PART No.	TYPE	DIMENSIONS (mm)								MAX LOAD (kg)	WEIGHT (kg)
			D	E	A	K	H	h	d	G		
17-4056	10-00139	M 7 40 IRH	18	43	50	64	20	7	7	M6	3.5	0.02
17-4057	10-00140	M 7 60 IRH	18	43	50	64	20	7	7	M6	9	
17-4047	10-00094	M 25 40 IRH	33	56	66	85	25	11	8	M8	20	0.07
17-4048	10-00095	M 25 60 IRH	33	56	66	85	25	11	8	M8	50	
17-4052	10-00096	M 50 40 IRH	45	76	92	114	35	14	10	M10	40	0.16
17-4053	10-00097	M 50 60 IRH	45	76	92	114	35	14	10	M10	80	
17-4041	10-00100	M 100 40 IRH	53	96	110	136	40	15	11.5	M10	70	0.26
17-4042	10-00099	M 100 60 IRH	53	96	110	136	40	15	11.5	M10	150	
174044	10-00102	M 200 40 IRH	58	101	124	151	45	13	11.5	M10	130	0.42
17-4045	10-00103	M 200 60 IRH	58	101	124	151	45	13	11.5	M10	220	
17-4050	10-00104	M 400 40 IRH	78	-	120	150	63	18	14.5	M12	280	1.06
17-4051	10-00105	M 400 60 IRH	78	-	120	150	63	18	14.5	M12	500	
17-4054	10-00080	M 600 40 IRH	100	-	160	200	85	25	14.5	M16	380	2.35
17-4055	10-00081	M 600 60 IRH	100	-	160	200	85	25	14.5	M16	750	
17-4043	10-00082	M 1500 40 IRH	186	-	250	310	160	43	18	M24	1400	9.43
17-4049	10-00083	M 1500 60 IRH	186	-	250	310	160	43	18	M24	2500	