



Fluid Mount



Fluid Mount

The Fluid Mount has been designed for superior damping, shock and vibration control.

The design consists of a bonded rubber and steel mount with integral buffers to limit movement. Internal chambers contain a high damping fluid to provide damping of low frequency vibrations due to dynamic shock inputs to the vehicle.

This means the Fluid Mount is particularly suitable for the cabs on off-highway vehicles working in rough conditions.

The Fluid Mount combines the benefits of three main features; 1st it's a load bearing spring with restrained motion capability, 2nd the high damping provides decreased motion near resonance frequencies and 3rd it's an isolator providing vibration isolation at a specified frequency.

The Fluid Mount is available in three different bolt configurations; 45 mm or 75 mm threaded M16 stud or 30 mm deep M16 hole.

Typical Applications Include:

- Tracked & Wheeled Excavators
- Front End Loaders
- Backhoes
- Forestry Equipment

About Trelleborg Industrial AVS

Over 100 years of experience as Metalastik and Novibra, today Trelleborg Industrial AVS make improvements people can physically feel. From smoother travel to quieter, more efficient machines, we make life feel better. With quality, testing and compliance built in, we're in it for the long haul, ensuring your solution still works, over an extended and often arduous life-cycle.

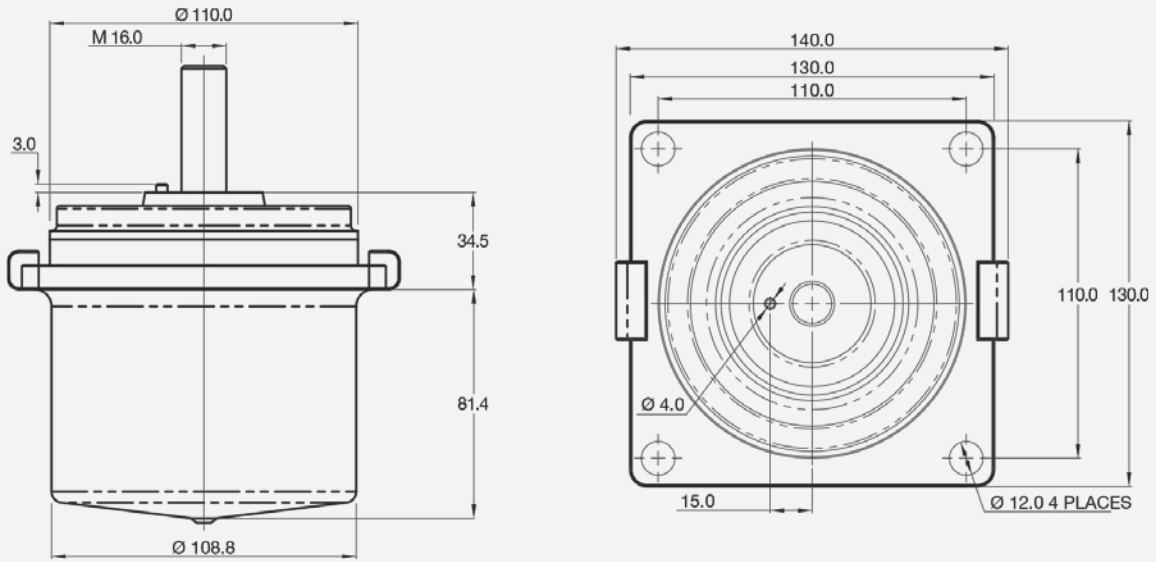
With three state-of-the-art manufacturing plants across the globe, our experience in rubber to metal bonding enhances several industries, including off-highway vehicles, rail and mass transit, marine and energy and general industry.

We offer an end-to-end service, to take you from concept through design, manufacturing and testing to delivery. This reduces the complexity of supply, helping you cut costs, mitigate risk and receive on time, on budget delivery.

Trelleborg IAVS is part of Trelleborg Group, which employs 15,000 people in over 40 countries. Whatever your challenge, whatever your role and wherever you are, we are nearby to offer expert knowledge and quality solutions.

Fluid Mount

Technical Drawing



Product Data

DRAWING No.	PART No.	MIN LOAD (kg)	MAX LOAD (kg)	THREAD TYPE		MAX BOLT TORQUE (Nm)	WEIGHT (kg)
				LENGTH (mm)	FITMENT		
19-0246-1	20-01105	50	150	45	M16 STUD	260	4
19-0246-2	20-01496	50	150	90	M16 STUD	260	4.1
19-0246-3	20-01497	50	150	30	M16 HOLE	260	3.9
19-0246-1	20-01498	100	200	45	M16 STUD	260	4
19-0246-2	20-01499	100	200	90	M16 STUD	260	4.1
19-0246-3	20-01500	100	200	30	M16 HOLE	260	3.9
19-0246-1	20-01104	150	225	45	M16 STUD	260	4
19-0246-2	20-01501	150	225	90	M16 STUD	260	4.1
19-0246-3	20-01502	150	225	30	M16 HOLE	260	3.9



WWW.TRELLEBORG.COM/ANTI-VIBRATION-SOLUTIONS

For further information visit our website or e-mail industrialavs@trelleborg.com

The content in this datasheet was correct at the time of printing, but is subject to change without notice.